

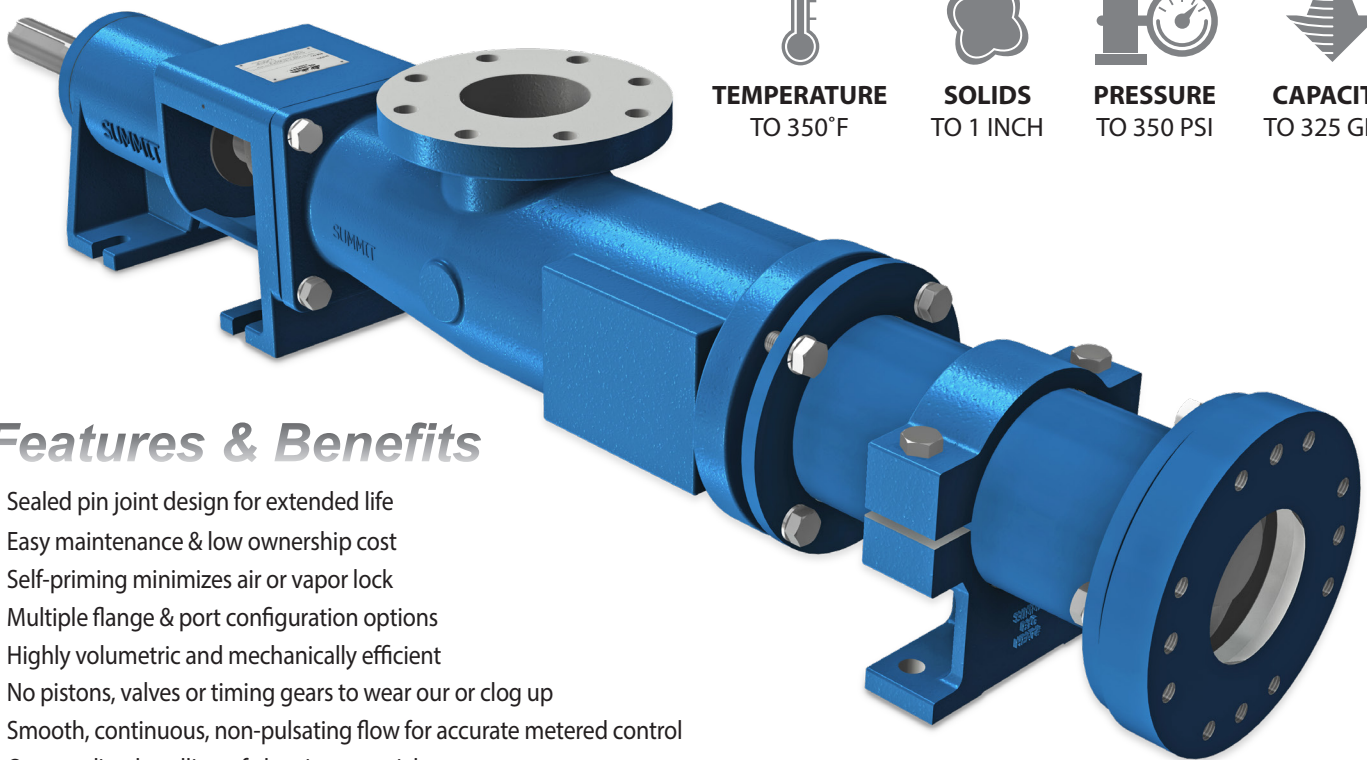
SUMMIT™

SP1000

SP1000

SEALED PIN JOINT PUMP

Economic and easy to maintain; providing unmatched efficiency, performance, and versatility.



TEMPERATURE
TO 350°F



SOLIDS
TO 1 INCH



PRESSURE
TO 350 PSI



CAPACITY
TO 325 GPM

Features & Benefits

- Sealed pin joint design for extended life
- Easy maintenance & low ownership cost
- Self-priming minimizes air or vapor lock
- Multiple flange & port configuration options
- Highly volumetric and mechanically efficient
- No pistons, valves or timing gears to wear out or clog up
- Smooth, continuous, non-pulsating flow for accurate metered control
- Outstanding handling of abrasive materials

Sealed Pin Joint Progressive Cavity Pump

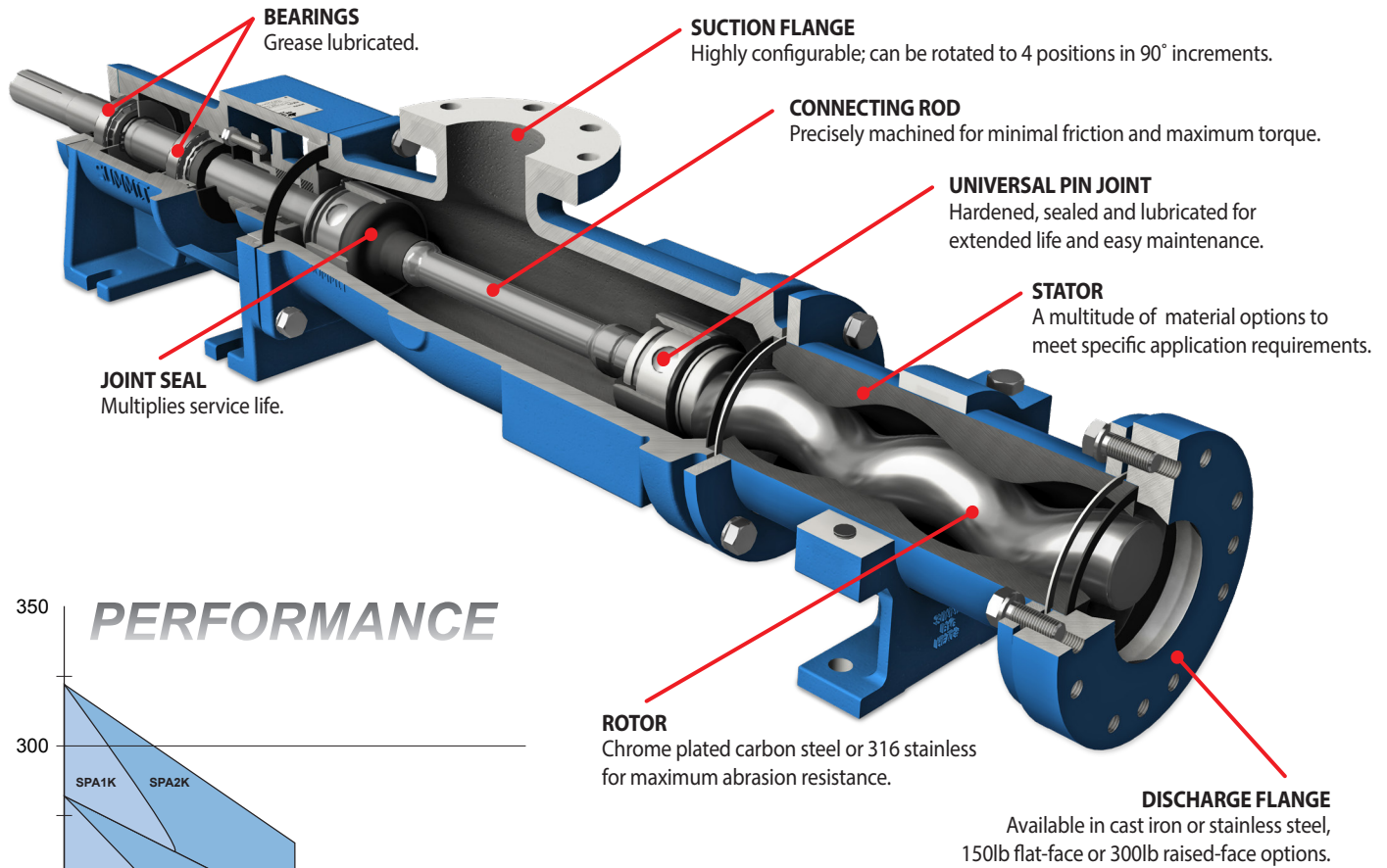


SUMMIT™
PUMP, Inc

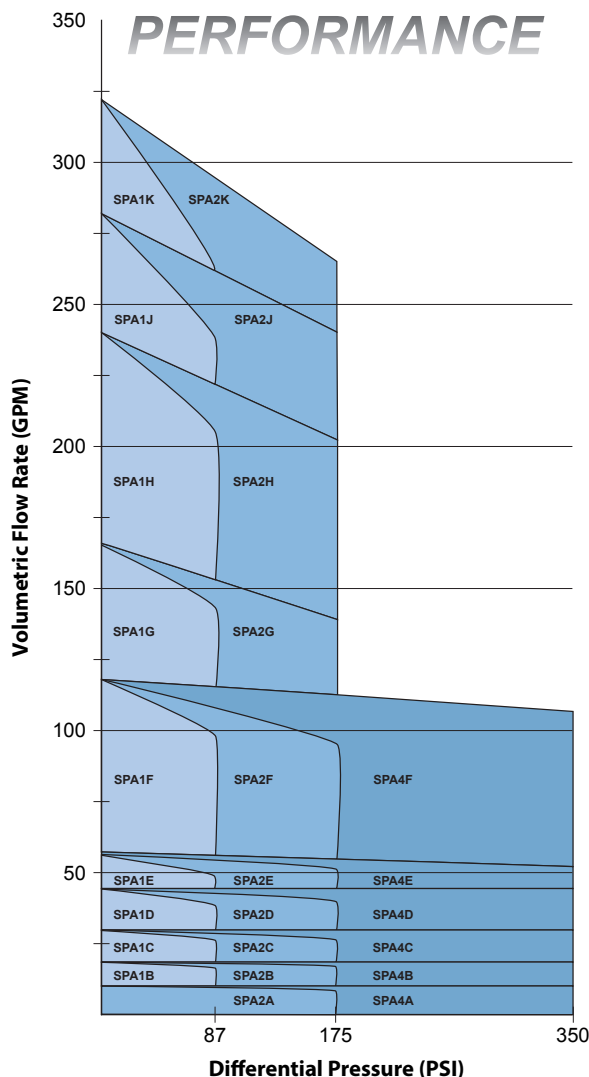
www.SUMMITPUMP.com

DESIGN PRINCIPLE

The SP1000 series is an efficient, easy to maintain and versatile pump line ideal for highly viscous progress cavity applications.



PERFORMANCE



COMMON APPLICATIONS

- Pulp & Paper:
 - Coating
 - Starch
 - Stock
- Oil & Gas:
 - Crude Oil
 - Lubricants
- Chemical Feed:
 - Soaps and Detergents
 - Paint
 - Polymer Transfer
- Water:
 - Wastewater Treatment
 - Drilling Muds
 - Oil/Water separations
 - Lime Slurries
 - Sampling
 - Polymer Metering
- Miscellaneous:
 - Pastes and Gels
 - Clay
 - Adhesives & Mastics
 - Mortar & Grout

OPTIONS

- Variety of drivers and mounting configurations
- Packing or mechanical seals

