

SUMMIT™

2996



2996



CAPACITY
TO 1,400 GPM



TEMPERATURE
TO 500°F



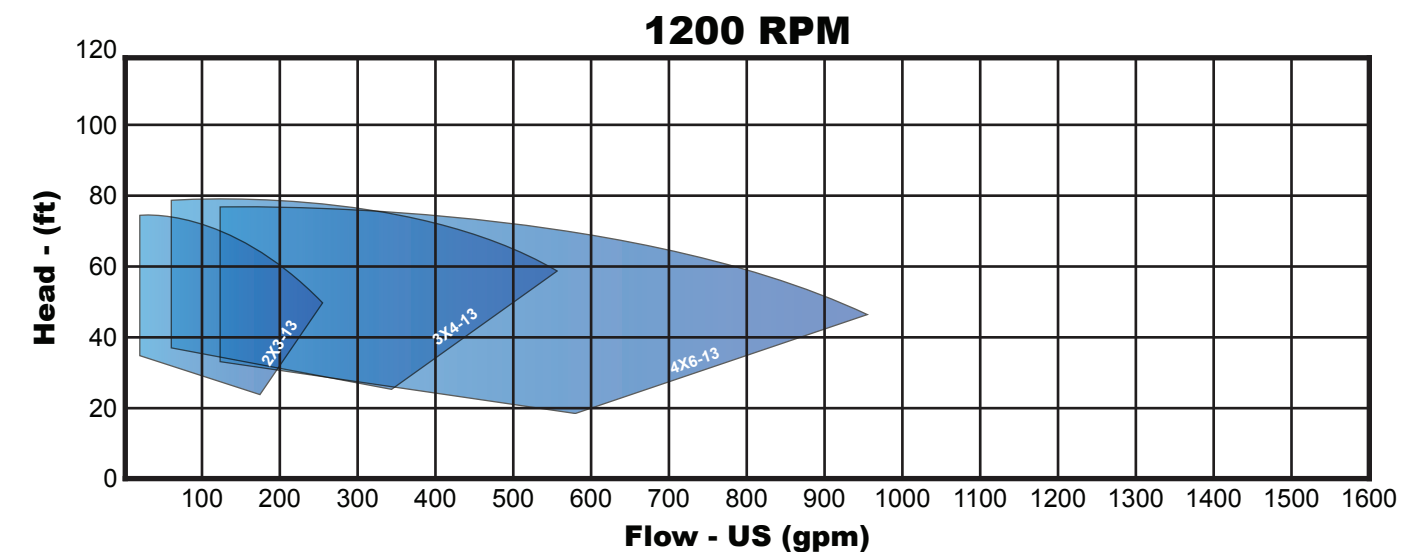
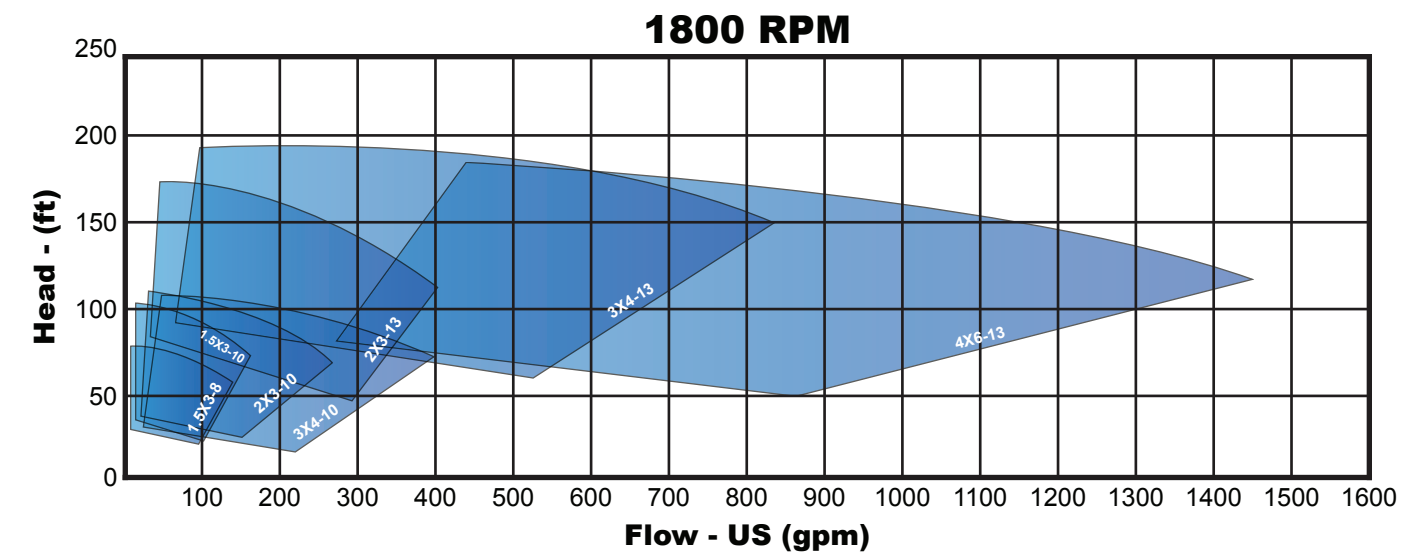
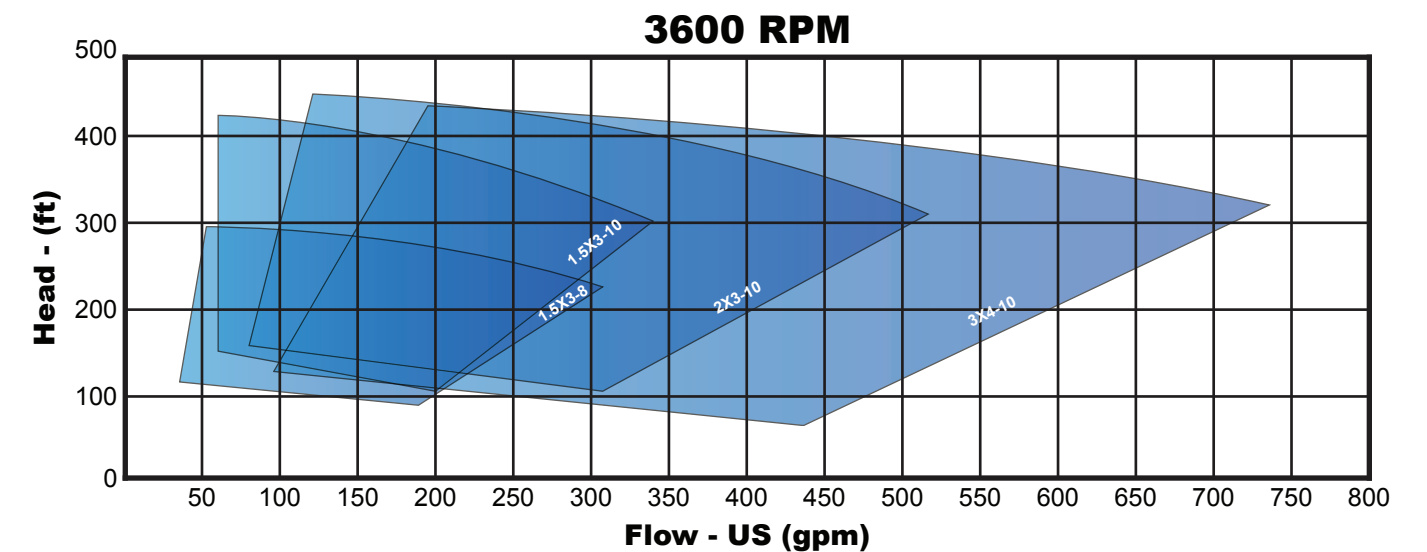
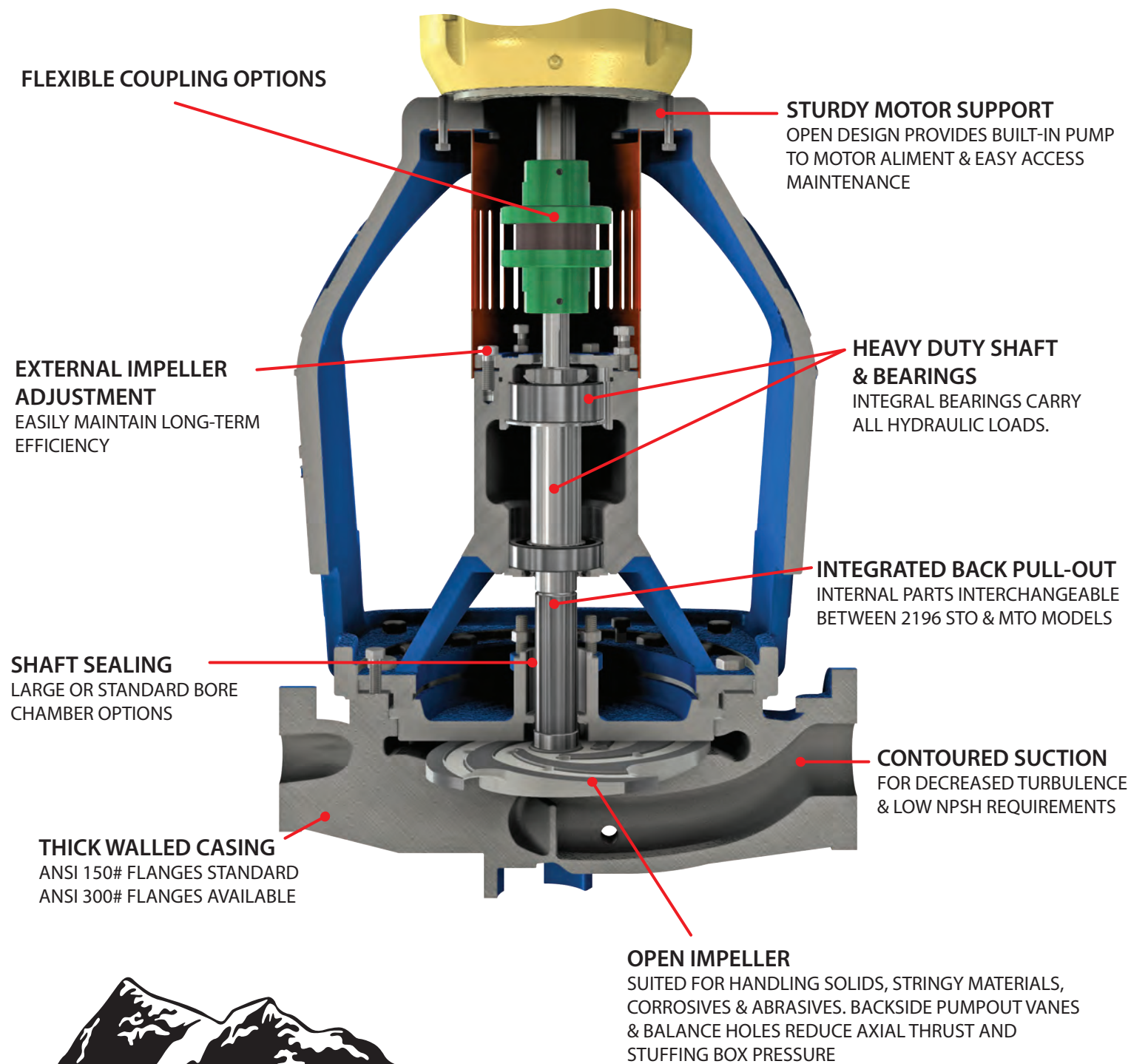
HEAD
TO 655 FEET

In-Line Process Pump



SUMMIT™
PUMP, Inc

www.SUMMITPUMP.com



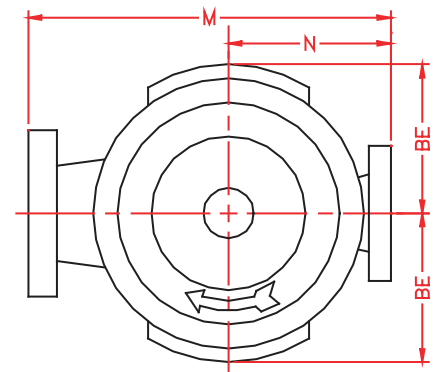
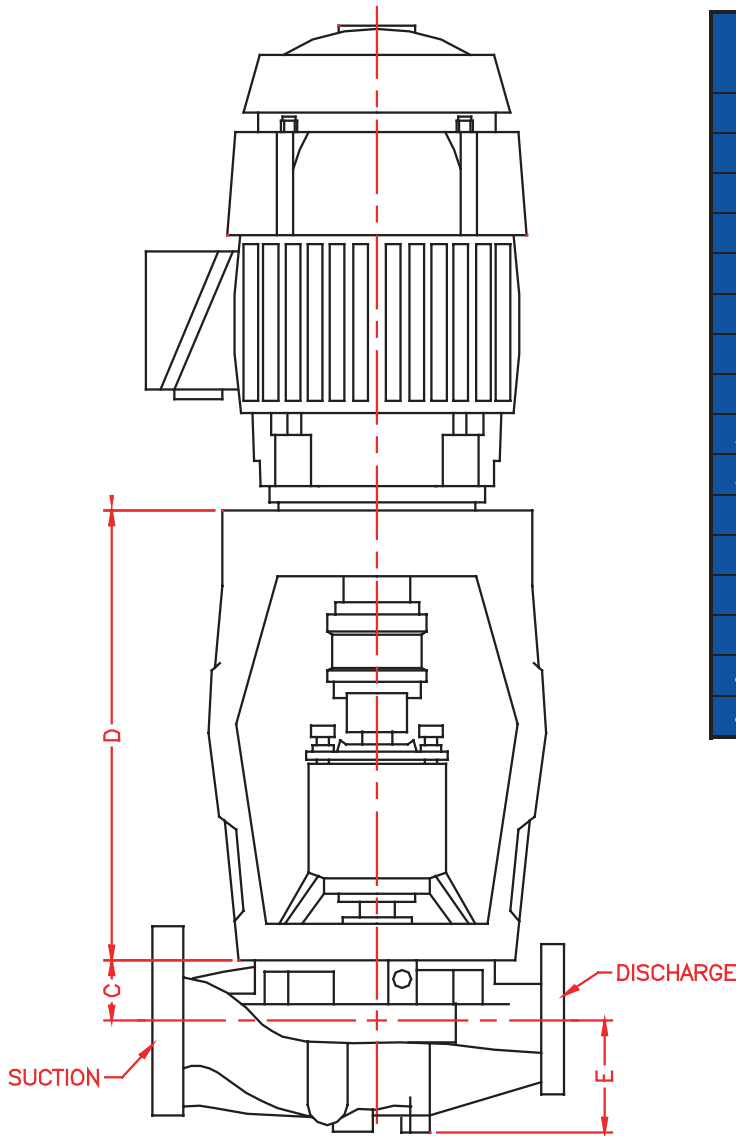
Note: Performance & Sizing curves are provided for reference only. For specific information, contact your distributor or the manufacturer.



Model 2996 Dimensional Data

DIMENSIONS DETERMINED BY MOTOR

	D			
	STO 6"	STO 8"	MTO 10"	MTO 13"
143TC	17.5	N/A	N/A	
145TC	17.5	N/A	N/A	
182TC	19.25	19.9	25	
184TC	19.25	19.9	25	
213TC	19.25	19.9	25	
215TC	19.25	19.9	25	
254TC	19.25	19.9	25	
256TC	19.25	19.9	25	
284TSC	19.25	19.9	25	
286TSC	19.25	19.9	25	
324TSC	N/A	N/A	27	
326TSC	N/A	N/A	27	
364TSC	N/A	N/A	27	
365TSC	N/A	N/A	27	
404TSC	N/A	N/A	27	
405TSC	N/A	N/A	27	



PUMP DIMENSIONS

Pump Frame	Pump Size	Discharge (in)	Suction (in)	C inch (MM)	E inch (MM)	M inch (MM)	N inch (MM)	BE inch (MM)	Pump Weight (Less Motor) LBS (KGS)
STO	1.5X2-6	1 1/2	2	2 1/8 (54)	4 1/2 (114)	15 (381)	6 3/4 (171)	6 1/2 (165)	190 (86)
	2X3-6	2	3	2 3/16 (56)	4 7/8 (118)	17 (432)	7 1/2 (191)	6 1/2 (165)	205 (93)
	1.5X3-8	1 1/2	3	1 11/16 (43)	5 1/4 (133)	19 (483)	8 3/8 (213)	6 5/8 (168)	210 (95)
MTO	1.5X3-10	1 1/2	3	2 3/8 (60)	5 (127)	18 7/8 (479)	9 3/16 (233)	10 (254)	380 (173)
	2X3-10	2	3	2 1/2 (64)	5 1/4 (133)	20 (508)	9 1/2 (241)	10 (254)	390 (177)
	3X4-10	3	4	2 5/8 (67)	6 (152)	25 (635)	11 1/2 (292)	10 (254)	430 (195)
	1.5X3-13	1 1/2	3	2 3/8 (60)	5 5/8 (143)	24 (610)	11 1/2 (292)	10 (254)	460 (209)
	2X3-13	2	3	2 1/2 (64)	5 3/4 (146)	24 (610)	11 1/2 (292)	10 (254)	490 (223)
	3X4-13	3	4	2 5/8 (67)	6 7/8 (175)	28 (711)	13 (330)	10 (254)	520 (236)
	4X6-13	4	6	2 3/4 (70)	8 1/2 (216)	30 (762)	14 (356)	10 (254)	610 (277)