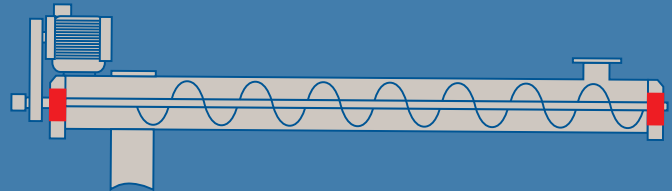




BulkTite™ Powder and Bulk Solids Seal

Designed for rotating equipment handling powder and bulk solids, BulkTite™ seals are ideal for the chemical, power, food processing, pharmaceutical and general industries.

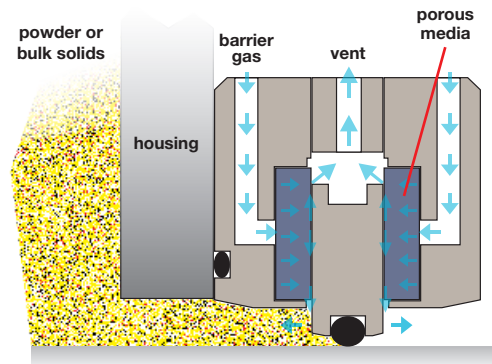


Reliability from advanced technology

Leveraging proven air bearing technology, BulkTite seals provide improved sealing performance by eliminating the shortcomings of conventional seals such as packing, lip seals and bushings. With non-wearing, non-damaging and low-maintenance features, BulkTite seals economically extend the continuous operation of rotating equipment such as screw conveyors, rotary airlocks, mixers, clinker grinders and de-lumpers.

Features and benefits

- Porous air bearing technology improves seal life through non-wearing / non-contact sealing
- Prolongs seal life compared to traditional sealing methods through:
 - Floating rotor allows 3.2 mm (0.125 in) radial shaft movement without contact or binding
 - Durable drive O-ring absorbs shaft thermal expansion while minimizing seal axial loading
 - Unique rotor design accommodates up to 2° angular misalignment as standard for reduced heat generation and seal wear
- Proprietary porous media minimizes air consumption and reduces operating cost
- Reduces installation and maintenance time through flexible adapters for easy mounting and installation





BulkTite™ Powder and Bulk Solids Seal

Materials of construction

Metal Components	316 Stainless steel
Gaskets	Fluoroelastomer
Porous Media	Carbon

Equipment parameters

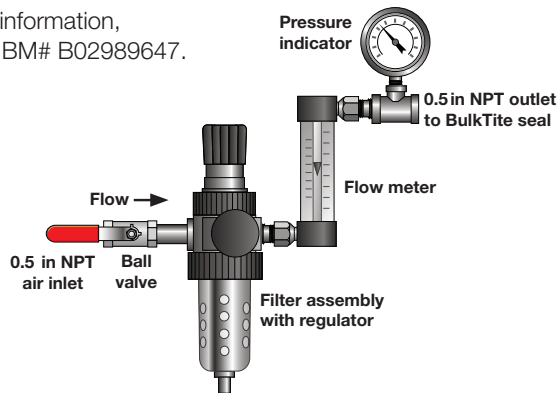
Shaft Diameter	16–177 mm (0.625–7.000 in)
Maximum Radial Run-out	3.1 mm (0.125 in)
Maximum Angular Misalignment	2 degrees

Available designs

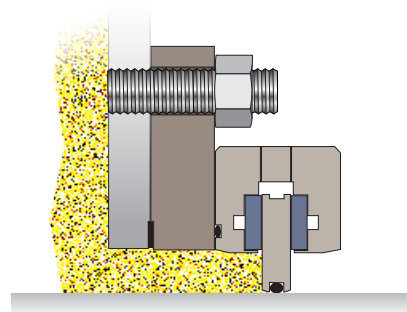
- Standard design fits popular equipment
- Custom engineered solutions to meet specific application requirements; consult your Flowserve representative for more information

Recommended gas supply support system

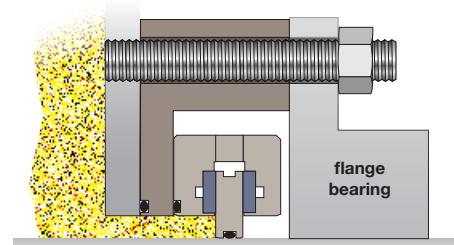
For more information, reference BM# B02989647.



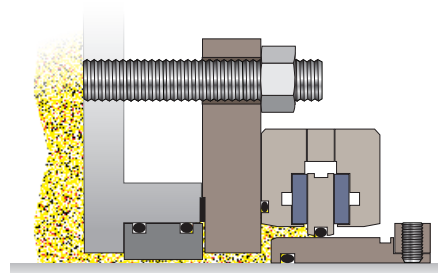
Mounting options



Standard installation with flanged adapter plate



Standard installation with flanged bearing



Stuffing box retrofit with optional bushing and shaft sleeve

FSD267a (E/AQ) December 2018

Headquarters

Flowserve Corporation
5215 North O'Connor Blvd.
Suite 2300
Irving, Texas 75039-5421 USA
Telephone: +1 937 890 5839

USA and Canada

Kalamazoo, Michigan USA
Telephone: +1 269 381 2650

Europe, Middle East, Africa

Etten-Leur, The Netherlands
Telephone: +31 765 028 200

Asia Pacific

Singapore
Telephone: +65 6544 6800

Latin America

Mexico City
Telephone: +52 55 5567 7170

Flowserve Corporation has established industry leadership in the design and manufacture of its products. When properly selected, this Flowserve product is designed to perform its intended function safely during its useful life. However, the purchaser or user of Flowserve products should be aware that Flowserve products might be used in numerous applications under a wide variety of industrial service conditions. Although Flowserve can provide general guidelines, it cannot provide specific data and warnings for all possible applications. The purchaser/user must therefore assume the ultimate responsibility for the proper sizing and selection, installation, operation, and maintenance of Flowserve products. The purchaser/user should read and understand the Installation Instructions included with the product, and train its employees and contractors in the safe use of Flowserve products in connection with the specific application.

While the information and specifications contained in this literature are believed to be accurate, they are supplied for informative purposes only and should not be considered certified or as a guarantee of satisfactory results by reliance thereon. Nothing contained herein is to be construed as a warranty or guarantee, express or implied, regarding any matter with respect to this product. Because Flowserve is continually improving and upgrading its product design, the specifications, dimensions and information contained herein are subject to change without notice. Should any question arise concerning these provisions, the purchaser/user should contact Flowserve Corporation at any one of its worldwide operations or offices.

©2018 Flowserve Corporation. All rights reserved. This document contains registered and unregistered trademarks of Flowserve Corporation. Other company, product, or service names may be trademarks or service marks of their respective companies.