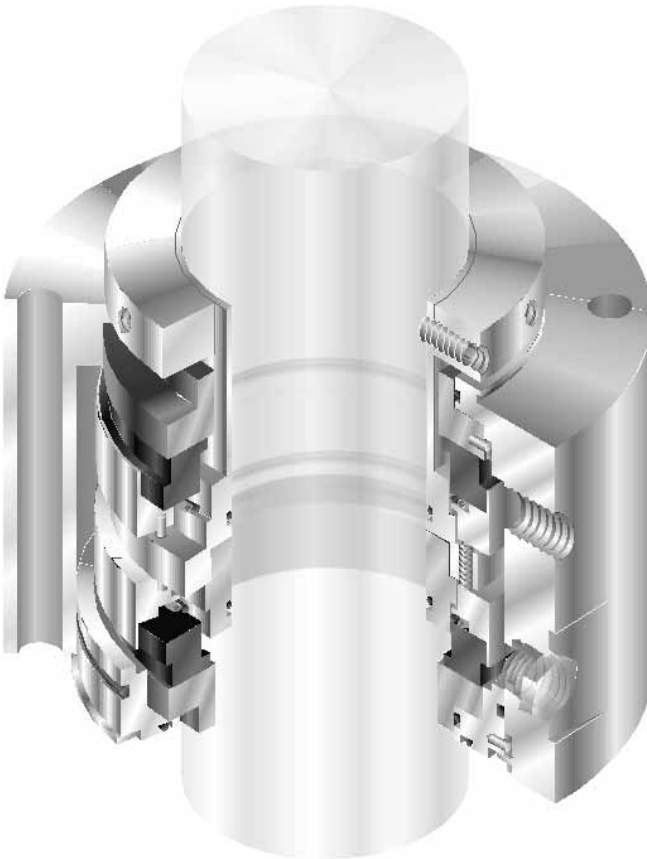




Installation Instructions

Durametallic® ML-200 Series

Dry Gas Dual Cartridge
Canister Seal for Mixers and Agitators



1 Equipment Check

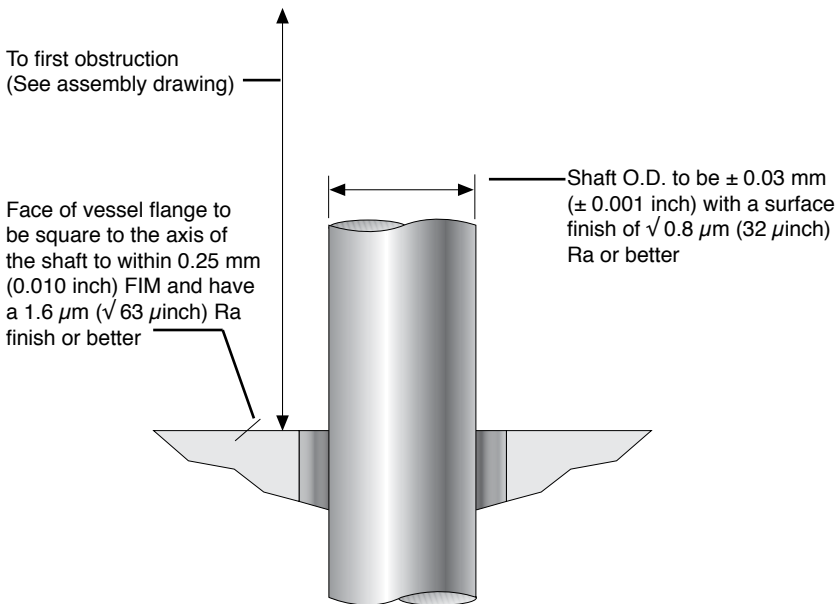
- 1.1 **Follow plant safety regulations** prior to equipment disassembly:
 - **Consult** the plant Material Safety Data Sheet (MSDS) files for hazardous material regulation.
 - **Wear** designated personal safety equipment.
 - **Lock out** the mixer or agitator motor and valves to and from the vessel.
 - **Relieve** any pressure in the vessel.
 - Use plant **vessel entry procedures** if it is necessary to enter the vessel.
- 1.2 **Secure the mixer or agitator shaft** in accordance with the mixer or agitator manufacturer's instructions.
- 1.3 **Remove the coupling and/or drive** to access the seal area. Follow the manufacturer's instructions.
- 1.4 **Remove the existing seal assembly.**
- 1.5 **Remove all burrs and sharp edges** from the shaft and vessel flange area. The shaft and vessel flange must be free of burrs, sharp edges, cuts, dents, or corrosion that might cause leakage past the sleeve packing O-rings, shown on the assembly drawing as (1f) and (11A), and the vessel flange O-ring gasket.
- 1.6 **Check requirements** for the shaft and the vessel flange. They must agree with the dimensions shown in Figure 1.
- 1.7 **Check the assembly drawing** accompanying the seal assembly for specific seal design data, materials of construction, dimensions, and recommended piping connections.
- 1.8 **Check the shaft OD, vessel flange bolt size, bolt circle, and distance to the coupling or drive** to ensure that these dimensions agree with the seal assembly drawing provided.

1.9 **Handle the seal assembly with care**, it is manufactured to precise tolerances. The sealing faces of the rotors (3) and (3A) and the stators (3B) and (3C) are of special importance. These sealing faces are lapped to rigid specifications required for full fluid film dry gas seals. If it becomes necessary to disassemble the seal, **keep these sealing faces clean and dry at all times** and **protect them from damage** since they are subject to impact fracture.

1.10 **Pressure testing** of this cartridge canister dual seal prior to installation is possible using filtered dry nitrogen or instrument air. Consult your Flowserve representative for acceptable gas leakage rates for this seal design.

Caution Note: Bench test pressure is 3.5 bar (50 PSI) Maximum

Mixer/Agitator Shaft and Flange Requirements Figure 1



- Bearings, drive, and coupling must be in good condition
- Maximum vertical shaft movement (axial end play) = 0.61 mm (0.024 inch) FIM
- Maximum static vessel flange out of concentricity = 0.50 mm (0.020 inch) FIM
- Maximum static vessel flange to shaft out of squareness = 0.25 mm (0.010 inch) FIM
- Maximum dynamic shaft deflection = 3 mm (0.125 inch) FIM

The ML-200 seal design may include an optional radial bearing in the canister to protect the seal from excessive shaft runout or whip.

2 ML-200 Seal Installation

Tools needed:

Tools provided:

- **Lubricant** for O-rings and equipment shaft OD

Tools not provided:

- **Open end wrenches** to secure housing nuts or bolts
- **Allen wrenches** for housing cap screws
- **Allen wrenches** for seal centering devices and set screws

- 2.1 **Install the seal adapter plate** on the vessel flange if required.
- 2.2 **Lightly lubricate the equipment shaft** in the area that the seal sleeve packing O-rings (11) and (11A) will contact the shaft. Use the lubricant provided if it is compatible with the process fluid. The shaft in the area of the seal sleeve collar set screws (13) must be free of lubricant.
- 2.3 **Secure the vessel flange O-ring** in the gasket O-ring groove using the lubricant provided if it is compatible with the process fluid.
- 2.4 **Install the ML-200 seal onto the equipment shaft** with the end containing the centering tabs (CT) or retaining plates (15) toward the equipment drive end and position the seal assembly onto the vessel flange. Use the lifting eyes supplied to gently lower the canister assembly onto the adapter plate. Do not bolt the canister seal assembly to the adapter plate or vessel flange at this time. Care should be exercised when passing the seal sleeve (10) incorporating the sleeve packing O-rings (11) and (11A) over any keyways or threads that may be present. Any steps or shoulders on the equipment shaft should be beveled to prevent damage (pinching and cutting) of these sleeve packing O-rings during installation.
- 2.5 **Position the canister seal assembly** so that the barrier gas ports and any optional bearing lubrication fittings are easily accessible.
- 2.6 **Reinstall the shaft coupling and/or drive. Remove any shaft holding or restraining clamps** and complete adjustments so that the shaft is in its final operating position.
- 2.7 **Install and tighten the vessel flange studs or cap screws** to secure the canister seal assembly to the vessel flange or adapter plate. Do not over tighten.

- 2.8 **Tighten the set screws** (13) in the sleeve collar (9) uniformly with an Allen wrench.
- 2.9 **Remove the centering tabs** (CT) or **retaining plates** (15). **Save the centering tabs or retaining plates and attachment hardware** for future use.

3 Dry Gas Supply

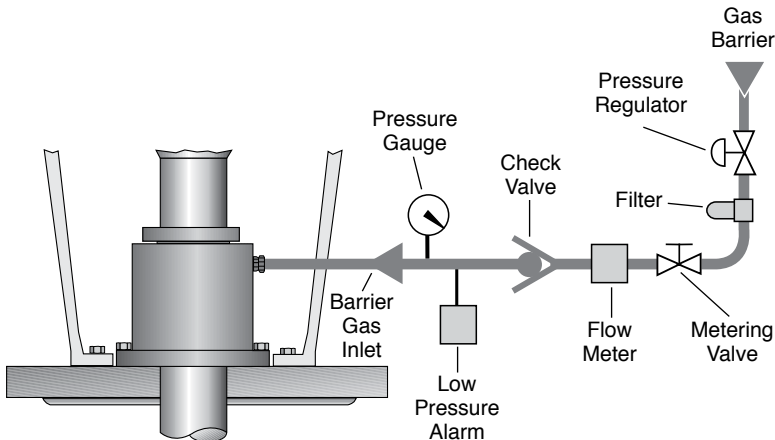
The ML-200 seal design is engineered to operate with a dry filtered (5 micron) gas supplied to the seal chamber at a consistent pressure 3.5 bar (50 psig) above the maximum operating vessel pressure. No liquid barrier or flush is required to lubricate these special seal faces. Dry nitrogen gas is the barrier fluid of choice. However, dry instrument air may be used in compatible applications. The dry gas to be used, maximum vessel pressure, shaft speed, temperature, equipment, and shaft size must be specified when the seal is ordered. Do not attempt to use this seal under other conditions without consulting Flowserve.

4 ML-200 Seal Piping

- 4.1 **Install piping for the clean dry nitrogen** to the canister tap. A pressure regulator, filter, metering valve, flow meter, check valve, low pressure alarm, and pressure gauge are recommended. See Figure 2.
- 4.2 Bearings (optional) have been pre-lubricated during seal assembly.

Recommended Piping for Dual Dry Gas Seal

Figure 2



5 Seal Operation

To assure reliable operation of this sealing product, the following operating guidelines should be observed.

- 5.1 **Maintain the dry gas supply pressure** both while the seal is operating and when the equipment is on standby. Always ensure that there is an adequate flow of barrier gas to the seal.
- 5.2 **Do not exceed the maximum barrier pressure** specified for the seal design. The barrier pressure should be 3.5 bar (50 psig) above the operating vessel pressure.
- 5.3 **Do not exceed the maximum vessel pressure** specified for the application. This could reduce the recommended vessel to barrier differential pressure which could adversely affect seal performance.
- 5.4 **Do not exceed the maximum vessel temperature** specified for the application. This could exceed the temperature limits of the seal materials of construction applied to the application.
- 5.5 **Do not exceed the seal material corrosion limits.** This seal was designed for the application shown on the seal assembly drawing. Do not exceed the limits of the material alloys and elastomers supplied in its construction.

For any problems encountered during installation and/or operation of this product, contact your nearest Flowserve Sales and Service Representative or Authorized Distributor.

6 Repairs

This product is a precision sealing device. The design and dimension tolerances are critical to seal performance. Only parts supplied by Flowserve should be used to repair a seal. To order replacement parts, refer to the part code and B/M number. A spare backup seal should be stocked to reduce repair time.

When seals are returned to Flowserve for repair, **decontaminate the seal assembly** and include an order marked "**Repair or Replace.**"

A signed certificate of decontamination must be attached.

A Material Safety Data Sheet (MSDS) must be enclosed for any product that came in contact with the seal. The seal assembly will be inspected and, if repairable, it will be rebuilt, tested, and returned.



TO REORDER REFER TO
B/M # _____
F.O. _____

FI101eng REV 04/13 Printed in USA

**To find your local Flowserve representative
and find out more about Flowserve Corporation,
visit www.flowserve.com**

Flowserve Corporation has established industry leadership in the design and manufacture of its products. When properly selected, this Flowserve product is designed to perform its intended function safely during its useful life. However, the purchaser or user of Flowserve products should be aware that Flowserve products might be used in numerous applications under a wide variety of industrial service conditions. Although Flowserve can provide general guidelines, it cannot provide specific data and warnings for all possible applications. The purchaser/user must therefore assume the ultimate responsibility for the proper sizing and selection, installation, operation, and maintenance of Flowserve products. The purchaser/user should read and understand the Installation Instructions included with the product, and train its employees and contractors in the safe use of Flowserve products in connection with the specific application.

While the information and specifications contained in this literature are believed to be accurate, they are supplied for informative purposes only and should not be considered certified or as a guarantee of satisfactory results by reliance thereon. Nothing contained herein is to be construed as a warranty or guarantee, express or implied, regarding any matter with respect to this product. Because Flowserve is continually improving and upgrading its product design, the specifications, dimensions and information contained herein are subject to change without notice. Should any question arise concerning these provisions, the purchaser/user should contact Flowserve Corporation at any one of its worldwide operations or offices.

© 2013 Flowserve Corporation

USA and Canada

Kalamazoo, Michigan USA
Telephone: 1 269 381 2650
Telefax: 1 269 382 8726

Europe, Middle East, Africa

Dortmund, Germany
Telephone: 49 231 69640
Telefax: 49 231 6964 248

Asia Pacific

Singapore
Telephone: 65 6544 6800
Telefax: 65 6214 0541

Latin America

Mexico City
Telephone: 52 55 5567 7170
Telefax: 52 55 5567 4224